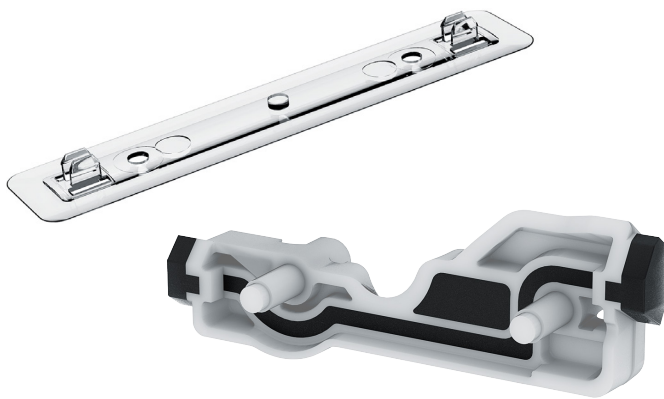


Engineered Plastic Parts Components for steering systems from EJOT

Levers:

- Design of part and mold concept
- Development of mold cooling
- Stiffness analysis
- Geometry optimisation to fulfill customer requirements
- FEM analysis directly linked to 3D Filling simulation
- Material choice
- Warpage and Shrinkage analysis



Sliding Pads:

- Excellent sliding properties to eliminate the friction of the pipes
- Fastening system with snap-fit for fixing to the outer tube
- Tolerance compensation between the pipes
- Small tolerances
- Extremely thin sliding surfaces with a thickness of only 0.25 mm
- Robust and fully automated production processes for very good reproducibility

Sleeves:

- Design of part and mold concept
- Development of mold cooling
- 3D Filling simulation
- Material choice
- Warpage and Shrinkage analysis
- Tight tolerances to fulfill fitting forces

